

Controller General of Patents, Designs & Trade  
Marks



सत्यमेव जयते  
G.A.R.6  
[See Rule 22(1)]  
RECEIPT



Docket No 58397

Date/Time 2020/10/12 20:26:33

To  
DR.SHIVANI SACHDEVA

Userld: shivani19

525/ 9/ 70 PMT STAFF QUARTERS PIMS,  
LONI Bk, Taluka- Rahata city- Ahmednagar

**CBR Detail:**

Sr. No.	Ref. No./Application No.	App. Number	Amount Paid	C.B.R. No.	Form Name	Remarks
1	202021044399	TEMP/E-1/49058/2020-MUM	1600	26495	FORM 1	RETRIEVING FORCEPS FOR PLATELET RICH FIBRIN MEMBRANE

TransactionID	Payment Mode	Challan Identification Number	Amount Paid	Head of A/C No
N-0000711795	Online Bank Transfer	1210200008783	1600.00	1475001020000001

Total Amount : ₹ 1600

Amount in Words: Rupees One Thousand Six Hundred Only

Received from DR.SHIVANI SACHDEVA the sum of ₹ 1600 on account of Payment of fee for above mentioned Application/Forms.

\* This is a computer generated receipt, hence no signature required.

[Print](#)

[Home](#)

[About Us](#)

[Contact Us](#)



**Government of India**  
**Patent Office**  
Intellectual Property Office Building,  
S.M. Road, Antop Hill,  
Mumbai-400037  
Phone- 022-24137701,24142026  
Fax: 022-24130387  
e-mail: mumbai-patent@nic.in

### Application Filing Receipt

CBR Number : 26495

CBR date: 12-10-2020

Application Type: ORDINARY APPLICATION

Priority Number:

Priority Date:

Priority Country: Not Selected

To,

DR.SHIVANI SACHDEVA

DR. SHIVANI SACHDEVA 525/9/70 staff quarters, PMT campus Pravara institute of medical sciences, PMT, Loni Bk Taluka: Rahata City: Ahmednagar Maharashtra; India Pin Code: 413736

Received documents purporting be to an application for patent numbered 202021044399 dated 12-10-2020 by DR.SHIVANI SACHDEVA of DR. SHIVANI SACHDEVA 525/9/70 staff quarters, PMT campus Pravara institute of medical sciences, PMT, Loni Bk, Taluka: Rahata City: Ahmednagar Maharashtra; India Pin Code: 413736 relating to RETRIEVING FORCEPS FOR PLATELET RICH FIBRIN MEMBRANE together with the Complete and fee(s) of ₹1600 ( One Thousand Six Hundred only).

**Note:**

1. In case of Patent Application accompanied by a Provisional Specification, a complete Specification should be filed within 12 months from the date of filing of the Provisional Specification, failing which the application will be deemed to be abandoned under Section 9(1) of the Patent Act, 1970.
2. You may withdraw the application at any time before the grant of patent, if you wish so. If, in addition to withdrawal, you also wish to prevent the publication of application in the Patent Office Journal, the application should be withdrawn within fifteen months from the date of priority of date of filing, whichever earlier.
3. If not withdrawn, your application will be published in the Patent Office Journal after eighteen months from the date of priority of date of filing, whichever earlier.
4. If you wish to get your application examined, you should file a request for examination in Form-18 within 48 months from the date of priority or date of filing, whichever is earlier, failing which the application will be treated as withdrawn by the applicant under Section 11(B)(4) of the Patent Act, 1970.

QR Image

(For Controller of Patents)

\* This is a computer generated receipt, hence no signature required.

Print AFR

(12) PATENT APPLICATION PUBLICATION

(21) Application No.202021044399 A

(19) INDIA

(22) Date of filing of Application :12/10/2020

(43) Publication Date : 30/10/2020

(54) Title of the invention : RETRIEVING FORCEPS FOR PLATELET RICH FIBRIN MEMBRANE

(51) International classification	:A61B 17/00	(71)Name of Applicant : <b>1)DR.SHIVANI SACHDEVA</b>
(31) Priority Document No	:NA	Address of Applicant :DR. SHIVANI SACHDEVA 525/9/70
(32) Priority Date	:NA	staff quarters, PMT campus Pravara institute of medical sciences,
(33) Name of priority country	:NA	PMT, Loni Bk, Taluka: Rahata City: Ahmednagar Maharashtra;
(86) International Application No	:NA	India Pin Code: 413736 Maharashtra India
Filing Date	:NA	(72)Name of Inventor :
(87) International Publication No	: NA	<b>1)DR.SHIVANI SACHDEVA</b>
(61) Patent of Addition to Application Number	:NA	<b>2)DR.HARISH SALUJA</b>
Filing Date	:NA	<b>3)DR.AMEET MANI</b>
(62) Divisional to Application Number	:NA	
Filing Date	:NA	

(57) Abstract :

RETRIEVING FORCEPS FOR PLATELET RICH FIBRIN MEMBRANE• Platelet rich fibrin (PRF) membranes are being widely used in field of dentistry both for soft tissue and hard tissue augmentation procedures like periodontal flap surgery, mucogingival deformities, sinus elevation and periimplantitis. It is a chairside, simple and user-friendly device. The device has plurality of functions but primarily used for retrieving platelet rich fibrin membrane from test tubes. The embodiments of horizontal serrations and perforations accomplish the goal of compression of PRF matrix to PRF membrane within test tube by removing excess of fluid. It will simultaneously separate the underlying unwanted red blood cells from PRF matrix with the help of another embodiment of toothed blades at the distal end. The present invention forms PRF membrane of uniform thickness in fastest span of time and eliminates need of cumbersome or costly device. It further helps in adapting PRF membrane on site of surgery. Figure 1 on page number 1 of the drawings may accompany the abstract when published.

No. of Pages : 24 No. of Claims : 6



(12) PATENT APPLICATION PUBLICATION

(21) Application No.202121021975 A

(19) INDIA

(22) Date of filing of Application :16/05/2021

(43) Publication Date : 02/07/2021

(54) Title of the invention : INTELLIGENT TOOTH PASTE DISPENSER.

(51) International classification

:B65D0035280000,  
A61Q0011000000,  
A46B0011000000,  
A47K0005180000,  
A47K0005122000

(31) Priority Document No

:NA

(32) Priority Date

:NA

(33) Name of priority country

:NA

(86) International Application No

:NA

Filing Date

:NA

(87) International Publication No

: NA

(61) Patent of Addition to Application Number

:NA

Filing Date

:NA

(62) Divisional to Application Number

:NA

Filing Date

:NA

(71)Name of Applicant :

**1)Dr. Deepak Macchindra Vikhe**

Address of Applicant :Reader, Dept of Prosthodontics, Rural Dental College & Hospital, Pravara Institute of Medical Sciences (DU), Pravara Medical Trust, A/P- Loni (bk), Tal- Rahata, Dist- Ahmednagar 413736, Maharashtra, India. E-mail: drdeepak\_mvikhe@yahoo.com Maharashtra India

(72)Name of Inventor :

**1)Dr. Deepak Macchindra Vikhe**

**2)Dr. Pallavi Madanshetty**

**3)Dr. Milind Dilip Jagdale**

**4)Bhavin Milind Patil**

**5)Sagar Sanjay Kadadhekar**

**6)Bhakti Shrikishan Porwal**

**7)Riddhi Vijay Malunjkar**

**8)Satyam Laxmikant Lahoti**

**9)Ayusha Ashok Shirodkar**

**10)Bhagyashree Atul Tayade**

**11)Siddhi Mukesh Baheti**

**12)Dr. Prasad Nanasaheb Mhaske**

(57) Abstract :

Intelligent tooth Paste Dispenser. Abstract Our Invention Intelligent Tooth Paste Dispenser is a squeeze toothpaste from the tube, they tend to overdose on toothpaste and experience difficulty getting the las and the rational use of fluoride toothpaste, a child should use a pea size (0.254 grams) of toothpaste, an adult should use about 0.54 grams and Old should use about 0.64 grams of toothpaste each time for the best effect. The invention is a people cover the entire brush with toothpaste for each use, which results in using approx 1.53 grams of toothpaste largely exceeding the optimum amount and also in addition, when most of the toothpaste in the tube is used, users may need to roll the tube up or use a toothpaste squeezer to get the rest out. The invention designs an electric toothpaste dispenser, which can accurately control the amount of toothpaste dispensed each time and prevent toothpaste overdosing and also with a peristaltic pump installed, the dispenser effectively gets the toothpaste out of the tube and reduce the wasted toothpaste.



2) PATENT APPLICATION PUBLICATION

(21) Application No.202121025192 A

(19) INDIA

(22) Date of filing of Application :07/06/2021

(43) Publication Date : 09/07/2021

(54) Title of the invention : **SOFT TISSUE GRAFT FORCEPS FOR MUCOGINGIVAL SURGERY**

(51) International classification :A61L0027360000,  
A61B0017300000,  
A61C0008020000,  
A61C0019060000,  
A61L0027380000

(31) Priority Document No :NA  
(32) Priority Date :NA  
(33) Name of priority country :NA  
(86) International Application No :NA  
Filing Date :NA  
(87) International Publication No : NA  
(61) Patent of Addition to Application Number :NA  
Filing Date :NA  
(62) Divisional to Application Number :NA  
Filing Date :NA

(71)Name of Applicant :  
**1)DR.AMIT MANI**  
Address of Applicant :RURAL DENTAL COLLEGE LONI  
PRAVARA INSTITUTE OF MEDICAL SCIENCES  
Maharashtra India  
**2)DR.RAVINDRA MANERIKAR**  
**3)DR.SHIVANI SACHDEVA**

(72)Name of Inventor :  
**1)DR.AMIT MANI**  
**2)DR.RAVINDRA MANERIKAR**  
**3)DR.SHIVANI SACHDEVA**  
**4)DR.KIRTI CHAWLA**  
**5)DR.SHUBHANGI MANI**  
**6)DR.HARISH SALUJA**  
**7)RURAL DENTAL COLLEGE LONI**

(57) Abstract :

The present invention is the forceps for holding and inserting the soft tissue into the pouch and tunnel for esthetics root coverage or in increasing the width of attached gingiva. The pouch and tunnel technique of connective tissue grafting, if performed correctly, is the most predictable periodontal plastic surgery procedure. It is a very sensitive procedure and requires using delicate handling of the tissues and ample patience while, undermining the interdental papilla and inserting a graft in pouch to avoid folding of the graft and excess pressure. The embodiments holding arm end and working platform arm hold the graft and along with locking mechanism incorporated as one of the embodiments places the graft at the site of surgery.

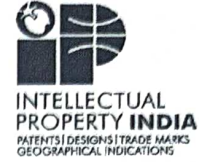
No. of Pages : 13 No. of Claims : 4

Controller General of Patents, Designs & Trade  
Marks



सत्यमेव जयते

G.A.R.6  
[See Rule 22(1)]  
RECEIPT



Docket No 18655

Date/Time 2021/04/05 22:46:40

To  
DR.SHIVANI SACHDEVA

Userid: shivani19

S25/ 9/ 70 PMT STAFF QUARTERS PIMS,  
LONI Bk, Taluka- Rahata city- Ahmednagar

**CBR Detail:**

Sr. No.	Ref. No./Application No.	App. Number	Amount Paid	C.B.R. No.	Form Name	Remarks
1	202121016080	TEMP/E-1/17728/2021-MUM	1600	8305	FORM 1	PERIOSTEAL RETRACTOR WITH DENTAL MOUTH MIRROR

TransactionID	Payment Mode	Challan Identification Number	Amount Paid	Head of A/C No
N-0000785336	Online Bank Transfer	0504210011207	1600.00	1475001020000001

Total Amount : ₹ 1600

Amount in Words: Rupees One Thousand Six Hundred Only

Received from DR.SHIVANI SACHDEVA the sum of ₹ 1600 on account of Payment of fee for above mentioned Application/Forms.

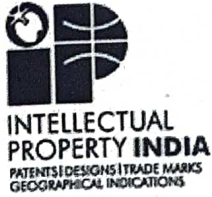
\* This is a computer generated receipt, hence no signature required.

[Print](#)

[Home](#)

[About Us](#)

[Contact Us](#)



## Application Filing Receipt

### Government of India Patent Office

Intellectual Property Office Building,  
S.M. Road, Antop Hill,  
Mumbai-400037  
Phone- 022-24137701,24142026  
Fax: 022-24130387  
e-mail: mumbai-patent@nic.in

CBR Number : 8305

CBR date: 05-04-2021

Application Type: ORDINARY APPLICATION  
Priority Number:  
Priority Date:  
Priority Country: Not Selected

To,  
DR.SHIVANI SACHDEVA  
DR.SHIVANI SACHDEVA 760/7/42 Staff quarters, RURAL DENTAL COLLEGE PRAVARA INSTITUTE OF MEDICAL SCIENCES (LONI) TALUKA RAHATA, CITY AHMEDNAGAR; PIN CODE: 413736

Received documents purporting to be to an application for patent numbered 202121016080 dated 05-04-2021 by DR.SHIVANI SACHDEVA of 760/7/42 Staff quarters, RURAL DENTAL COLLEGE PRAVARA INSTITUTE OF MEDICAL SCIENCES (LONI) TALUKA RAHATA, CITY AHMEDNAGAR; PIN CODE: 413736 relating to PERIOSTEAL RETRACTOR WITH DENTAL MOUTH MIRROR together with the Complete and fee(s) of ₹1600 (One Thousand Six Hundred only).

#### Note:

1. In case of Patent Application accompanied by a Provisional Specification, a complete Specification should be filed within 12 months from the date of filing of the Provisional Specification, failing which the application will be deemed to be abandoned under Section 9(1) of the Patent Act, 1970.
2. You may withdraw the application at any time before the grant of patent, if you wish so. If, in addition to withdrawal, you also wish to prevent the publication of application in the Patent Office Journal, the application should be withdrawn within fifteen months from the date of priority of date of filing, whichever is earlier.
3. If not withdrawn, your application will be published in the Patent Office Journal after eighteen months from the date of priority of date of filing, whichever is earlier.
4. If you wish to get your application examined, you should file a request for examination in Form-18 within 48 months from the date of priority or date of filing, whichever is earlier, failing which the application will be treated as withdrawn by the applicant under Section 11(B)(4) of the Patent Act, 1970.

(For Controller of Patents)

QR Image

\* This is a computer generated receipt, hence no signature required.

Print AFR



(12) PATENT APPLICATION PUBLICATION

(21) Application No.202121016080 A

(19) INDIA

(22) Date of filing of Application :05/04/2021

(43) Publication Date : 30/04/2021

(54) Title of the invention : PERIOSTEAL RETRACTOR WITH DENTAL MOUTH MIRROR

(51) International classification	:A61B0001247000, A61B0017020000, A61C0017080000, A61C0003000000, A61C0005900000	(71)Name of Applicant : <b>1)DR.SHIVANI SACHDEVA</b> Address of Applicant :760/7/42 Staff quarters, RURAL DENTAL COLLEGE PRAVARA INSTITUTE OF MEDICAL SCIENCES (LONI) TALUKA RAHATA, CITY AHMEDNAGAR; PIN CODE: 413736 Maharashtra India
(31) Priority Document No	:NA	(72)Name of Inventor :
(32) Priority Date	:NA	<b>1)DR.SHIVANI SACHDEVA</b>
(33) Name of priority country	:NA	<b>2)DR.HARISH SALUJA</b>
(86) International Application No	:NA	<b>3)DR.AMEET MANI</b>
Filing Date	:NA	<b>4)RURAL DENTAL COLLEGE, PIMS LONI</b>
(87) International Publication No	: NA	
(61) Patent of Addition to Application Number	:NA	
Filing Date	:NA	
(62) Divisional to Application Number	:NA	
Filing Date	:NA	

(57) Abstract :

PERIOSTEAL RETRACTOR WITH DENTAL MOUTH MIRROR• Periosteal retractor with dental mouth mirror relates to field of periodontology and oral surgery. More specifically, the invention relates to the periosteal retractor along with ellipse shaped dental mirror. A one- sided invention with dental mouth mirror on the palmar surface and the periosteal retractor on the plantar surface. This accomplishes a compact invention which may serve two basic necessities in just one instrument and avoids the need for a dental hygienist and four-handed dentistry. It gives less strain to the operator as well as patient with dual role accomplished by both the surfaces of the single sided instrument.

No. of Pages : 7 No. of Claims : 9



# Online Filing Of Patents



सत्यमेव जयते  
G.A.R.6  
[See Rule 22(1)]  
RECEIPT



Controller General of Patents, Designs & Trade Marks

Docket No 23042

Date/Time 2021/05/28 15:04:50

To  
DR.SHIVANI SACHDEVA

UserId: shivani19

525/ 9/ 70 PMT STAFF QUARTERS PIMS,  
LONI Bk, Taluka- Rahata city- Ahmednagar

### CBR Detail:

Sr. No.	Ref. No./Application No.	App. Number	Amount Paid	C.B.R. No.	Form Name	Remarks
1	202121023780	TEMP/E-1/26627/2021-MUM	1600	12207	FORM 1	BIFURCATED SUCTION TIP WITH TONGUE HOLDER AND LIGHT EMITTING DIODE FOR INTRAORAL PROCEDURES

TransactionID	Payment Mode	Challan Identification Number	Amount Paid	Head of A/C No
N-0000807558	Online Bank Transfer	2805210004433	1600.00	1475001020000001

Total Amount : ₹ 1600

Amount in Words: Rupees One Thousand Six Hundred Only

Received from DR.SHIVANI SACHDEVA the sum of ₹ 1600 on account of Payment of fee for above mentioned Application/Forms.

\* This is a computer generated receipt, hence no signature required.

**Government of India  
Patent Office**Intellectual Property Office Building,  
S.M. Road, Antop Hill,  
Mumbai-400037

Phone- 022-24137701,24142026

Fax: 022-24130387

e-mail: mumbai-patent@nic.in

**Application Filing Receipt**

CBR Number : 12207

CBR date: 28-05-2021

Application Type: ORDINARY APPLICATION

Priority Number:

Priority Date:

Priority Country: Not Selected

To,  
DR. SHIVANI SACHDEVA  
DEPT OF PERIODONTOLOGY RURAL DENTAL COLLEGE LONI PRAVARA INSTITUTE OF MEDICAL SCIENCES 413736

Received documents purporting to be an application for patent numbered 202121023780 dated 28-05-2021 by DR. SHIVANI SACHDEVA of RURAL DENTAL COLLEGE LONI PIMS LONI relating to BIFURCATED SUCTION TIP WITH TONGUE HOLDER AND LIGHT EMITTING DIODE FOR INTRAORAL PROCEDURES together with the Complete and fee(s) of ₹1600 ( One Thousand Six Hundred only).

**Note:**

1. In case of Patent Application accompanied by a Provisional Specification, a complete Specification should be filed within 12 months from the date of filing of the Provisional Specification, failing which the application will be deemed to be abandoned under Section 9(1) of the Patent Act, 1970.
2. You may withdraw the application at any time before the grant of patent, if you wish so. If, in addition to withdrawal, you also wish to prevent the publication of application in the Patent Office Journal, the application should be withdrawn within fifteen months from the date of priority of date of filing, whichever earlier.
3. If not withdrawn, your application will be published in the Patent Office Journal after eighteen months from the date of priority of date of filing, whichever is earlier.
4. If you wish to get your application examined, you should file a request for examination in Form-18 within 48 months from the date of priority or date of filing, whichever is earlier, failing which the application will be treated as withdrawn by the applicant under Section 11(B)(4) of the Patent Act, 1970.

QR Image

(For Controller of Patents)

\* This is a computer generated receipt, hence no signature required.

Print AFR



(12) PATENT APPLICATION PUBLICATION

(21) Application No.202121023780 A

(19) INDIA

(22) Date of filing of Application :28/05/2021

(43) Publication Date : 27/08/2021

(54) Title of the invention : BIFURCATED SUCTION TIP WITH TONGUE HOLDER AND LIGHT EMITTING DIODE FOR INTRAORAL PROCEDURES

(51) International classification	:A61M0001000000, A61C0017100000, A61C0017080000, A61B0001240000, A61F0005560000	(71)Name of Applicant : <b>1)DR. SHIVANI SACHDEVA</b> Address of Applicant :RURAL DENTAL COLLEGE LONI PIMS LONI Maharashtra India <b>2)DR.HARISH SALUJA</b>
(31) Priority Document No	:NA	(72)Name of Inventor :
(32) Priority Date	:NA	<b>1)DR. SHIVANI SACHDEVA</b>
(33) Name of priority country	:NA	<b>2)DR.HARISH SALUJA</b>
(86) International Application No	:NA	<b>3)DR.AMIT MANI</b>
Filing Date	:NA	<b>4)DR.RAVINDRA MANERIKAR</b>
(87) International Publication No	: NA	<b>5)RURAL DENTAL COLLEGE</b>
(61) Patent of Addition to Application Number	:NA	
Filing Date	:NA	
(62) Divisional to Application Number	:NA	
Filing Date	:NA	

(57) Abstract :

Suction tips are used in all the oral surgical procedures to make the field clean and withdraw accumulated fluids in oral cavity. The suction tips widely used in dentistry are single ended. The present invention relates to the suction tip which has plurality of functions as it bifurcates into two tubes for both left and right side of the mandibular arch and saves time of the operator by suctioning both the arches at the same time. Along with that it has embodiment as tongue holder assembly which holds the tongue from both the sides to restrict its movement. The light emitting diodes are also embodied for illuminating the field of operation.

No. of Pages : 19 No. of Claims : 6



Controller General of Patents Design & Trade marks

## Online Filing Of Patents



सत्यमेव जयते

G.A.R.6  
[See Rule 22(1)]  
RECEIPT



INTELLECTUAL  
PROPERTY INDIA  
PATENTS | DESIGNS | TRADE MARKS  
GEOGRAPHICAL INDICATIONS

Controller General of Patents, Designs & Trade  
Marks

Docket No 38924

Date/Time 2021/07/23 17:29:06

To  
DR.SHIVANI SACHDEVA

UserId: shivani19

525/ 9/ 70 PMT STAFF QUARTERS PIMS,  
LONI Bl, Taluka- Rahata city- Ahmednagar

### CBR Detail:

Sr. No.	Ref. No./Application No.	App. Number	Amount Paid	C.B.R. No.	Form Name	Remarks
1	202121033179	TEMP/E-1/36979/2021-MUM	1600	16667	FORM 1	INTERDENTAL CLEANING APPARATUS WITH FINGER RING FOR INCREASED DEXTERITY AND METHOD THEREOF

TransactionID	Payment Mode	Challan Identification Number	Amount Paid	Head of A/C No
N-0006831507	Online Bank Transfer	2307210012328	1600.00	1475001020000001

Total Amount : ₹ 1600

Amount in Words: Rupees One Thousand Six Hundred Only

Received from DR.SHIVANI SACHDEVA the sum of ₹ 1600 on account of Payment of fee for above mentioned Application/Forms.

\* This is a computer generated receipt, hence no signature required.



**INTELLECTUAL  
PROPERTY INDIA**  
PATENTS | DESIGNS | TRADE MARKS  
GEOGRAPHICAL INDICATIONS



सत्यमेव जयते

**Government of India  
Patent Office**

Intellectual Property Office Building,  
S.M. Road, Antop Hill,  
Mumbai-400037  
Phone- 022-24137701,24142026  
Fax: 022-24130387  
e-mail: mumbai-patent@nic.in

**Application Filing Receipt**

**CBR Number : 16667**

**CBR date: 23-07-2021**

Application Type: ORDINARY APPLICATION  
Priority Number:  
Priority Date:  
Priority Country: Not Selected

To,

DR.SHIVANI SACHDEVA

DEPT OF PERIODONTOLOGY RURAL DENTAL COLLEGE LONI RAHATA MAHARASHTRA 413736

Received documents purporting to be an application for patent numbered 202121033179 dated 23-07-2021 by DR.SHIVANI SACHDEVA of DEPT OF PERIODONTOLOGY RURAL DENTAL COLLEGE LONI PRAVARA INSTITUTE OF MEDICAL SCIENCES (DU) relating to INTERDENTAL CLEANING APPARATUS WITH FINGER RING FOR INCREASED DEXTERITY AND METHOD THEREOF together with the Complete and fee(s) of ₹ 1600 ( One Thousand Six Hundred only).

**Note:**

1. In case of Patent Application accompanied by a Provisional Specification, a complete Specification should be filed within 12 months from the date of filing of the Provisional Specification, failing which the application will be deemed to be abandoned under Section 9(1) of the Patent Act, 1970.
2. You may withdraw the application at any time before the grant of patent, if you wish so. If, in addition to withdrawal, you also wish to prevent the publication of application in the Patent Office Journal, the application should be withdrawn within fifteen months from the date of priority of date of filing, whichever earlier.
3. If not withdrawn, your application will be published in the Patent Office Journal after eighteen months from the date of priority of date of filing, whichever is earlier.
4. If you wish to get your application examined, you should file a request for examination in Form-18 within 48 months from the date of priority or date of filing, whichever is earlier, failing which the application will be treated as withdrawn by the applicant under Section 11(B)(4) of the Patent Act, 1970.

QR Image

(For Controller of Patents)

\* This is a computer generated receipt, hence no signature required.

Print AFR



(12) PATENT APPLICATION PUBLICATION

(21) Application No.202121033179 A

(19) INDIA

(22) Date of filing of Application :23/07/2021

(43) Publication Date : 27/08/2021

(54) Title of the invention : INTERDENTAL CLEANING APPARATUSWITH FINGER RING FOR INCREASED DEXTERITY AND METHOD THEREOF

(51) International classification	:A61C0015040000, A61C0015020000, A44C0009000000, A61C0015000000, A46B0015000000	(71)Name of Applicant : <b>1)DR.SHIVANI SACHDEVA</b> Address of Applicant :DEPT OF PERIODONTOLOGY RURAL DENTAL COLLEGE LONI PRAVARA INSTITUTE OF MEDICAL SCIENCES (DU) Maharashtra India
(31) Priority Document No	:NA	<b>2)DR.HARISH SALUJA</b>
(32) Priority Date	:NA	(72)Name of Inventor :
(33) Name of priority country	:NA	<b>1)DR.SHIVANI SACHDEVA</b>
(86) International Application No	:NA	<b>2)DR.HARISH SALUJA</b>
Filing Date	:NA	<b>3)DR.AMEET MANI</b>
(87) International Publication No	: NA	<b>4)RURAL DENTAL COLLEGE , PIMS (DU) LONI</b>
(61) Patent of Addition to Application Number	:NA	
Filing Date	:NA	
(62) Divisional to Application Number	:NA	
Filing Date	:NA	

(57) Abstract :  
**ABSTRACT INTERDENTAL CLEANING APPARATUS WITH FINGER RING FOR INCREASED DEXTERITY AND METHOD THEREOF** The present invention generally relates to dental utility device for interdental cleaning. More particularly, it is a compact bamboo interdental cleaning apparatus which can be worn on the finger ring for interdental cleaning manually with interdental cleaning apparatus which has a dental floss. The dental floss can be replaced once used and interdental apparatus can be preserved. It also provides a method for use which makes is simple and easy to master with the help of extraoral finger rests. This gives improvement in tactile perception and better dexterity. Figure 1 on page number. 1 of the drawings may accompany the abstract when published.

No. of Pages : 17 No. of Claims : 4

Controller General of Patents, Designs & Trade  
Marks



सत्यमेव जयते

G.A.R.6  
[See Rule 22(1)]  
RECEIPT



INTELLECTUAL  
PROPERTY INDIA  
PATENTS | DESIGNS | TRADE MARKS  
GEOGRAPHICAL INDICATIONS

Docket No 26971

Date/Time 2021/05/22 12:17:23

To  
DR.SHIVANI SACHDEVA

Userid: shivani19

525/ 9/ 70 PMT STAFF QUARTERS PIMS,  
LONI Bk, Taluka- Rahata city- Ahmednagar

**CBR Detail:**

Sr. No.	Ref. No./ Application No.	App. Number	Amount Paid	C.B.R. No.	Form Name	Remarks
1	202121022892	TEMP/E-1/25573/2021-MUM	1600	11760	FORM 1	DENTAL CURETTE WITH LIGHT EMITTING DIODE AND MOUTH MIRROR FOR ILLUMINATION

Transaction ID	Payment Mode	Challan Identification Number	Amount Paid	Head of A/C No
N-0000805136	Online Bank Transfer	2205210001447	1600.00	1475001020000001

Total Amount : ₹ 1600

Amount in Words: Rupees One Thousand Six Hundred Only

Received from DR.SHIVANI SACHDEVA the sum of ₹ 1600 on account of Payment of fee for above mentioned Application/Forms.

\* This is a computer generated receipt, hence no signature required.

[Print](#)

[Home](#)

[About Us](#)

[Contact Us](#)

**Application Filing Receipt****Government of India  
Patent Office**

Intellectual Property Office Building,  
S.M. Road, Antop Hill,  
Mumbai-400037

Phone- 022-24137701,24142026

Fax: 022-24130387

e-mail: mumbai-patent@nic.in

**CBR Number : 11760**

**CBR date: 22-05-2021**

Application Type: ORDINARY APPLICATION

Priority Number:

Priority Date:

Priority Country: Not Selected

To,

DR.SHIVANI SACHDEVA

404 dept of Periodontolgy RDC Pravara institute of medical sciences Loni 413736

Received documents purporting be to an application for patent numbered 202121022892 dated 22-05-2021 by DR.SHIVANI SACHDEVA of 404 dept of Periodontolgy RDC Pravara institute of medical sciences Loni 413736 relating to DENTAL CURETTE WITH LIGHT EMITTING DIODE AND MOUTH MIRROR FOR ILLUMINATION together with the Complete and fee(s) of ₹1600 ( One Thousand Six Hundred only).

**Note:**

1. In case of Patent Application accompanied by a Provisional Specification, a complete Specification should be filed within 12 months from the date of filing of the Provisional Specification, failing which the application will be deemed to be abandoned under Section 9(1) of the Patent Act, 1970.
2. You may withdraw the application at any time before the grant of patent, if you wish so. If, in addition to withdrawal, you also wish to prevent the publication of application in the Patent Office Journal, the application should be withdrawn within fifteen months from the date of priority of date of filing, whichever earlier.
3. If not withdrawn, your application will be published in the Patent Office Journal after eighteen months from the date of priority of date of filing, whichever is earlier.
4. If you wish to get your application examined, you should file a request for examination in Form-18 within 48 months from the date of priority or date of filing, whichever is earlier, failing which the application will be treated as withdrawn by the applicant under Section 11(B)(4) of the Patent Act, 1970.

 QR Image

(For Controller of Patents)

\* This is a computer generated receipt, hence no signature required.

Print AFR



(12) PATENT APPLICATION PUBLICATION

(21) Application No.202121022892 A

(19) INDIA

(22) Date of filing of Application :22/05/2021

(43) Publication Date : 23/07/2021

(54) Title of the invention : DENTAL CURETTE WITH LIGHT EMITTING DIODE AND MOUTH MIRROR FOR ILLUMINATION

(51) International classification	:A61B0017000000, A61B0010020000, A61B0017020000, A61C0001080000, A61C0017200000	(71)Name of Applicant : 1)DR.SHIVANI SACHDEVA Address of Applicant :404 dept of Periodontolgy RDC Pravara institute of medical sciences Loni 413736 Maharashtra India 2)DR.KIRTI CHAWLA 3)DR.HARISH SALUJA
(31) Priority Document No	:NA	(72)Name of Inventor :
(32) Priority Date	:NA	1)DR.SHIVANI SACHDEVA
(33) Name of priority country	:NA	2)DR.KIRTI CHAWLA
(86) International Application No	:NA	3)DR.HARISH SALUJA
Filing Date	:NA	4)DR.AMIT MANI
(87) International Publication No	: NA	5)DR. M.B. PHADNAIK
(61) Patent of Addition to Application	:NA	6)RURAL DENTAL COLLEGE
Number	:NA	
Filing Date	:NA	
(62) Divisional to Application Number	:NA	
Filing Date	:NA	

(57) Abstract :

DENTAL CURETTE WITH LIGHT EMITTING DIODE AND MOUTH MIRROR FOR ILLUMINATION• The present invention generally relates to universal curette required during periodontal surgery for subgingival curettage. It relates to a double- sided instrument with universal curette with dental mouth mirror on both the sides for illumination and retraction. The light emitting diodes are also attached with push buttons on handle to increase illumination hence, no need to refocus lamp attached on the dental chair to illuminate site of surgery. This accomplishes an invention with plurality of functions in just one instrument and avoids the need of using multiple instruments for retraction and illumination. It gives less strain to the operator for getting accessibility as it has embodiments of mouth mirror and LED bulb for direct illumination in built in a single instrument.

No. of Pages : 18 No. of Claims : 6

(12) PATENT APPLICATION PUBLICATION

(21) Application No. 202121024847 A

(19) INDIA

(22) Date of filing of Application :04/06/2021

(43) Publication Date : 09/07/2021

(54) Title of the invention : CONTROLLED FORCE PERIODONTAL BONE GRAFT CARRIER AND CONDENSER

(51) International classification :G01L0001220000,  
A61F0002280000,  
B25B0023142000,  
G01G0003140000,  
A61F0002460000

(31) Priority Document No :NA  
(32) Priority Date :NA  
(33) Name of priority country :NA  
(86) International Application No :NA  
Filing Date :NA  
(87) International Publication No :NA  
(61) Patent of Addition to Application Number :NA  
Filing Date :NA  
(62) Divisional to Application Number :NA  
Filing Date :NA

(71)Name of Applicant :  
1)KIRTI CHAWLA  
Address of Applicant :S 129 GREATER KAILASH PART I  
NEW DELHI Maharashtra India  
2)Shivani Sachdeva  
3)HARISH SALUJA

(72)Name of Inventor :  
1)KIRTI CHAWLA  
2)Shivani Sachdeva  
3)HARISH SALUJA  
4)AMIT MANI  
5)RURAL DENTAL COLLEGE, LONI, PIMS

(57) Abstract :

The present invention generally relates to field of periodontal flap surgery and is a utility device which is used for carrying the graft material into the periodontal bone defects and condensing the graft material used for regenerative periodontal flap surgeries with controlled force with the help of force transducer encompassing a strain gauge and wheatstone bridge circuit as embodiments. The double ended hollow instrument has two working ends the spoon shaped carrier on one side for grafting and the other end it has strain gauge for the calculating Newtonian force applied to the condenser and if the force exceeds the desired range an audible and visionary warning with the help of a beeper and LED blinker respectively will be seen on the handle.

No. of Pages : 15 No. of Claims : 7

Controller General of Patents, Designs & Trade  
Marks



सत्यमेव जयते

G.A.R.6  
[See Rule 22(1)]  
RECEIPT



Docket No 30401

Date/Time 2021/06/10 09:38:30

To  
DR.SHIVANI SACHDEVA

UserId: shivani19

525/ 9/ 70 PMT STAFF QUARTERS PIMS,  
LONI Bk, Taluka- Rahata city- Ahmednagar

**CBR Detail:**

Sl. No.	Ref. No./Application No.	App. Number	Amount Paid	C.B.R. No.	Form Name	Remarks
1	202121025764	TEMP/E-1/28912/2021-MUM	1600	13204	FORM 1	GRAFT CARRIER AND CONDENSER FOR GRAFTING

TransactionID	Payment Mode	Challan Identification Number	Amount Paid	Head of A/C No
N-0000812581	Online Bank Transfer	1006210000528	1600.00	1475001020000001

Total Amount : ₹ 1600

Amount in Words: Rupees One Thousand Six Hundred Only

Received from DR.SHIVANI SACHDEVA the sum of ₹ 1600 on account of Payment of fee for above mentioned Application/Forms.

\* This is a computer generated receipt, hence no signature required.

Print

Home

About Us

Contact Us





## Application Filing Receipt

**Government of India  
Patent Office**

Intellectual Property Office Building,  
S.M. Road, Antop Hill,  
Mumbai-400037  
Phone- 022-24137701,24142026  
Fax: 022-24130387  
e-mail: mumbai-patent@nic.in

CBR Number : 13204

CBR date: 10-06-2021

Application Type: ORDINARY APPLICATION

Priority Number:

Priority Date:

Priority Country: Not Selected

To,

DR.SHIVANI SACHDEVA

RURAL DENTAL COLLEGE PRAVARA INSTITUTE OF MEDICAL SCIENCES (LONI) TALUKA RAHATA, CITY AHMEDNAGAR; PIN CODE: 413736

Received documents purporting to be an application for patent numbered 202121025764 dated 10-06-2021 by DR.SHIVANI SACHDEVA of RURAL DENTAL COLLEGE LONI PRAVARA INSTITUTE OF MEDICAL SCIENCES, LONI relating to GRAFT CARRIER AND CONDENSER FOR GRAFTING together with the Complete and fee(s) of ₹1600 ( One Thousand Six Hundred only).

### Note:

1. In case of Patent Application accompanied by a Provisional Specification, a complete Specification should be filed within 12 months from the date of filing of the Provisional Specification, failing which the application will be deemed to be abandoned under Section 9(1) of the Patent Act, 1970.
2. You may withdraw the application at any time before the grant of patent, if you wish so. If, in addition to withdrawal, you also wish to prevent the publication of application in the Patent Office Journal, the application should be withdrawn within fifteen months from the date of priority of date of filing, whichever is earlier.
3. If not withdrawn, your application will be published in the Patent Office Journal after eighteen months from the date of priority of date of filing, whichever is earlier.
4. If you wish to get your application examined, you should file a request for examination in Form-18 within 48 months from the date of priority or date of filing, whichever is earlier, failing which the application will be treated as withdrawn by the applicant under Section 11(B)(4) of the Patent Act, 1970.

QR Image

(For Controller of Patents)

\* This is a computer generated receipt, hence no signature required.

Print AFR

(12) PATENT APPLICATION PUBLICATION

(21) Application No.202121025764 A

(19) INDIA

(22) Date of filing of Application :10/06/2021

(43) Publication Date : 20/08/2021

(54) Title of the invention : GRAFT CARRIER AND CONDENSER FOR GRAFTING

(51) International classification	:A61F0002280000, A61F0002070000, D01H0005720000, A61C0008020000, A61C0003100000	(71)Name of Applicant : <b>1)DR.SHIVANI SACHDEVA</b> Address of Applicant :RURAL DENTAL COLLEGE LONI PRAVARA INSTITUTE OF MEDICAL SCIENCES, LONI Maharashtra India <b>2)DR.HARISH SALUJA</b>
(31) Priority Document No	:NA	(72)Name of Inventor : <b>1)DR.SHIVANI SACHDEVA</b> <b>2)DR.HARISH SALUJA</b> <b>3)AMIT MANI</b> <b>4)RURAL DENTAL COLLEGE LONI</b>
(32) Priority Date	:NA	
(33) Name of priority country	:NA	
(86) International Application No	:NA	
Filing Date	:NA	
(87) International Publication No	: NA	
(61) Patent of Addition to Application Number:	NA	
Filing Date	:NA	
(62) Divisional to Application Number	:NA	
Filing Date	:NA	

(57) Abstract :

GRAFT CARRIER AND CONDENSER FOR GRAFTING The present invention generally relates to field of periodontal flap surgery and is a utility device which is used for carrying the graft material into the periodontal bone defects and condensing the graft material used for regenerative periodontal flap surgeries with plurality of functions. The forceps has embodiments of two opposing branch arms which help to carry and condense the graft material into the periodontal bone defects. Along with that the function of isolation is carried out by the distal ends of the forceps which acts as a tweezer.

No. of Pages : 11 No. of Claims : 6



Controller General of Patents Design & Trade Marks

Online Filing Of Patents



सत्यमेव जयते  
G.A.R.6  
[See Rule 22(1)]  
RECEIPT



Controller General of Patents, Designs & Trade Marks

Docket No 40231

Date/Time 2021/07/29 19:26:05

To  
DR.SHIVANI SACHDEVA

UserId: shivani19

525/ 9/ 70 PMT STAFF QUARTERS PIMS,  
LONI Blk, Taluka- Rahata city- Ahmednagar

CBR Detail:

Sr. No.	Ref. No./Application No.	App. Number	Amount Paid	C.B.R. No.	Form Name	Remarks
1	202121034228	TEMP/E-1/38325/2021-MUM	1600	17193	FORM 1	PH PROBE AND FLUORIDE APPLICATOR INCORPORATED IN UNIVERSAL CURETTE FOR TREATMENT NEEDS

TransactionID	Payment Mode	Challan Identification Number	Amount Paid	Head of A/C No
N-0006S34288	Online Bank Transfer	2907210014152	1600.00	1475001020000001

Total Amount : ₹ 1600

Amount in Words: Rupees One Thousand Six Hundred Only

Received from DR.SHIVANI SACHDEVA the sum of ₹ 1600 on account of Payment of fee for above mentioned Application/Forms.

\* This is a computer generated receipt, hence no signature required.





**INTELLECTUAL  
PROPERTY INDIA**  
PATENTS | DESIGNS | TRADE MARKS  
GEOGRAPHICAL INDICATIONS



सत्यमेव जयते

### Application Filing Receipt

**Government of India  
Patent Office**

Intellectual Property Office Building,  
S.M. Road, Antop Hill,  
Mumbai-400037  
Phone- 022-24137701,24142026  
Fax: 022-24130387  
e-mail: mumbai-patent@nic.in

CBR Number : 17193

CBR date: 29-07-2021

Application Type: ORDINARY APPLICATION  
Priority Number:  
Priority Date:  
Priority Country: Not Selected

To,  
DR.SHIVANI SACHDEVA  
DEPT. OF PERIODONTOLOGY RURAL DENTAL COLLEGE, LONI PRAVARA INSTITUTE OF MEDICAL SCIENCES (DU) MAHARASHTRA 413736

Received documents purporting to be an application for patent numbered 202121034228 dated 29-07-2021 by DR.SHIVANI SACHDEVA of DEPT OF PERIODONTOLGY RURAL DENTAL COLLEGE, PRAVARA INSTITUTE OF MEDICAL SCIENCES (DU) AHMEDNAGAR MAHARASHTRA INDIA 413736 relating to PH PROBE AND FLUORIDE APPLICATOR INCORPORATED IN UNIVERSAL CURETTE FOR TREATMENT NEEDS together with the Complete and fee(s) of ₹1600 ( One Thousand Six Hundred only).

**Note:**

1. In case of Patent Application accompanied by a Provisional Specification, a complete Specification should be filed within 12 months from the date of filing of the Provisional Specification, failing which the application will be deemed to be abandoned under Section 9(1) of the Patent Act, 1970.
2. You may withdraw the application at any time before the grant of patent, if you wish so. If, in addition to withdrawal, you also wish to prevent the publication of application in the Patent Office Journal, the application should be withdrawn within fifteen months from the date of priority of date of filing, whichever is earlier.
3. If not withdrawn, your application will be published in the Patent Office Journal after eighteen months from the date of priority of date of filing, whichever is earlier.
4. If you wish to get your application examined, you should file a request for examination in Form-18 within 48 months from the date of priority or date of filing, whichever is earlier, failing which the application will be treated as withdrawn by the applicant under Section 11(B)(4) of the Patent Act, 1970.

(For Controller of Patents)

QR Image

\* This is a computer generated receipt, hence no signature required.

Print AFR

(12) PATENT APPLICATION PUBLICATION

(21) Application No.202121034228 A

(19) INDIA

(22) Date of filing of Application :29/07/2021

(43) Publication Date : 27/08/2021

(54) Title of the invention : PH PROBE AND FLUORIDE APPLICATOR INCORPORATED IN UNIVERSAL CURETTE FOR TREATMENT NEEDS

(51) International classification	:A61C0003000000, G01N0021640000, C12Q0001687600, A61K0008210000, A61B0017320700	(71)Name of Applicant : <b>1)DR.SHIVANI SACHDEVA</b> Address of Applicant :DEPT OF PERIODONTOLGY RURAL DENTAL COLLEGE, PRAVARA INSTITUTE OF MEDICAL SCIENCES (DU) AHMEDNAGAR MAHARASHTRA INDIA 413736 Maharashtra India <b>2)DR.HARISH SALUJA</b>
(31) Priority Document No	:NA	(72)Name of Inventor :
(32) Priority Date	:NA	<b>1)DR.SHIVANI SACHDEVA</b>
(33) Name of priority country	:NA	<b>2)DR.HARISH SALUJA</b>
(86) International Application No	:NA	<b>3)DR.AMEET MANI</b>
Filing Date	:NA	
(87) International Publication No	: NA	
(61) Patent of Addition to Application	:NA	
Number	:NA	
Filing Date	:NA	
(62) Divisional to Application Number	:NA	
Filing Date	:NA	

(57) Abstract :

ABSTRACT PH PROBE AND FLUORIDE APPLICATOR INCORPORATED IN UNIVERSAL CURETTE FOR TREATMENT NEEDS The present invention relates to the utility device in field of dentistry. It describes the design of an instrument which comprises primarily of stainless-steel double-sided curette which encases the embodiments pH probe as well as a fluoride applicator within it. The pH probe detects the critical pH and fluoride applicator assists in application of fluoride in those areas suspected for decay as indicated with the audible and visionary warning with the help of a beeper and LED blinker. The invention provides plurality of functions along with scaling and root planing Figure 1 on page number. 1 of the drawings may accompany the abstract when published.

No. of Pages : 18 No. of Claims : 5



(12) PATENT APPLICATION PUBLICATION

(21) Application No. 202121030833 A

(19) INDIA

(22) Date of filing of Application : 09/07/2021

(43) Publication Date : 27/08/2021

(54) Title of the invention : COLOUR CODED CALIBRATED GINGIVAL CORD PACKER

(51) International classification : A61C0009000000,  
A61C0017200000,  
A61K0006180000,  
A61K0006900000,  
A61C0008000000

(31) Priority Document No : NA  
 (32) Priority Date : NA  
 (33) Name of priority country : NA  
 (86) International Application No : NA  
     Filing Date : NA  
 (87) International Publication No : NA  
 (61) Patent of Addition to Application Number : NA  
     Filing Date : NA  
 (62) Divisional to Application Number : NA  
     Filing Date : NA

(71) Name of Applicant :

1) DR. SHIVANI SACHDEVA

Address of Applicant : DEPT. OF PERIODONTOLOGY  
RURAL DENTAL COLLEGE, Pravara institute of medical  
sciences (DU), PMT, Loni, Taluka: Rahata City: Ahmednagar  
Maharashtra; India Pin Code: 413736 Maharashtra India

2) DR. UMESH PALEKAR

(72) Name of Inventor :

1) DR. SHIVANI SACHDEVA

2) DR. UMESH PALEKAR

3) DR. HARISH SALUJA

4) DR. APARNA PALEKAR

(57) Abstract :

ABSTRACT COLOUR CODED CALIBRATED GINGIVAL CORD PACKER The present invention generally relates to utility device used in field of restorative dentistry. The colour coded calibrated gingival cord packer is used in teeth that require temporary retraction of portions of the gum by gingival cord to ensure access to the impression material so that adequate subgingival margins can be given. The colour coded calibrations helps to estimate the depth of pocket so that appropriate size of cord can be selected and inserted into the sulcus along with the provision for stabilization of already packed cord in the sulcus which gives it plurality of function. Figure 1 on page number. 1 of the drawings may accompany the abstract when published.

No. of Pages : 15 No. of Claims : 6





Controller General of Patents Design & Trade Marks

Online Filing Of Patents



सत्यमेव जयते

G.A.R.6  
[See Rule 22(1)]  
RECEIPT



INTELLECTUAL  
PROPERTY INDIA  
PATENTS | DESIGNS | TRADE MARKS  
GEOGRAPHICAL INDICATIONS

Controller General of Patents, Designs & Trade  
Marks

Docket No 39972

Date/Time 2021/07/28 22:51:02

To  
DR.SHIVANI SACHDEVA

UserId: shivani19

S2S/ 9/ 70 PMT STAFF QUARTERS PIMS,  
LONI Bk, Taluka- Rahata city- Ahmednagar

CBR Detail:

Sr. No.	Ref No./Application No.	App. Number	Amount Paid	C.B.R. No.	Form Name	Remarks
1	202121034036	TEMP/E-1/38072/2021-MUM	1600	17080	FORM 1	ADJUSTABLE GINGIVAL CORD PACKER WITH IMPROVED TACTILE PERCEPTION BY FINGER RING

TransactionID	Payment Mode	Challan Identification Number	Amount Paid	Head of/A/C No
N-0000833781	Online Bank Transfer	2807210016147	1600.00	1475001020000001

Total Amount : ₹ 1600

Amount in Words: Rupees One Thousand Six Hundred Only

Received from DR.SHIVANI SACHDEVA the sum of ₹ 1600 on account of Payment of fee for above mentioned Application/Forms.

\* This is a computer generated receipt, hence no signature required.

**Application Filing Receipt****Government of India  
Patent Office**Intellectual Property Office Building,  
S.M. Road, Antop Hill,  
Mumbai-400037  
Phone- 022-24137701,24142026  
Fax: 022-24130387  
e-mail: mumbai-patent@nic.in

CBR Number : 17080

CBR date: 28-07-2021

Application Type: ORDINARY APPLICATION

Priority Number:

Priority Date:

Priority Country: Not Selected

To,

DR.SHIVANI SACHDEVA

DEPT. OF PERIODONTOLOGY RURAL DENTAL COLLEGE, LONI PRAVARA INSTITUTE OF MEDICAL SCIENCES (DU) MAHARASHTRA 413736

Received documents purporting to be an application for patent numbered 202121034036 dated 28-07-2021 by DR.SHIVANI SACHDEVA of DEPT. OF PERIODONTOLOGY RURAL DENTAL COLLEGE, LONI PRAVARA INSTITUTE OF MEDICAL SCIENCES (DU) MAHARASHTRA 413736 relating to ADJUSTABLE GINGIVAL CORD PACKER WITH IMPROVED TACTILE PERCEPTION BY FINGER RING together with the Complete and fee(s) of ₹1600 ( One Thousand Six Hundred only).

**Note:**

1. In case of Patent Application accompanied by a Provisional Specification, a complete Specification should be filed within 12 months from the date of filing of the Provisional Specification, failing which the application will be deemed to be abandoned under Section 9(1) of the Patent Act, 1970.
2. You may withdraw the application at any time before the grant of patent, if you wish so. If, in addition to withdrawal, you also wish to prevent the publication of application in the Patent Office Journal, the application should be withdrawn within fifteen months from the date of priority of date of filing, whichever earlier.
3. If not withdrawn, your application will be published in the Patent Office Journal after eighteen months from the date of priority of date of filing, whichever is earlier.
4. If you wish to get your application examined, you should file a request for examination in Form-18 within 48 months from the date of priority or date of filing, whichever is earlier, failing which the application will be treated as withdrawn by the applicant under Section 11(B)(4) of the Patent Act, 1970.

QR Image

(For Controller of Patents)

\* This is a computer generated receipt, hence no signature required.

Print AFR

(12) PATENT APPLICATION PUBLICATION

(21) Application No.202121034036 A

(19) INDIA

(22) Date of filing of Application :28/07/2021

(43) Publication Date : 20/08/2021

(54) Title of the invention : ADJUSTABLE GINGIVAL CORD PACKER WITH IMPROVED TACTILE PERCEPTION BY FINGER RING

(51) International classification	:A61C0009000000, A61C0008000000, A61K0006900000, A61C0003000000, A61C0017400000	(71)Name of Applicant : <b>1)DR.SHIVANI SACHDEVA</b> Address of Applicant :DEPT. OF PERIODONTOLOGY RURAL DENTAL COLLEGE, LONI PRAVARA INSTITUTE OF MEDICAL SCIENCES (DU) MAHARASHTRA 413736 Maharashtra India
(31) Priority Document No	:NA	<b>2)DR.HARISH SALUJA</b>
(32) Priority Date	:NA	<b>3)DR.AMEET MANI</b>
(33) Name of priority country	:NA	(72)Name of Inventor :
(86) International Application No	:NA	<b>1)DR.SHIVANI SACHDEVA</b>
Filing Date	:NA	<b>2)DR.HARISH SALUJA</b>
(87) International Publication No	: NA	<b>3)DR.AMEET MANI</b>
(61) Patent of Addition to Application	:NA	
Number	:NA	
Filing Date	:NA	
(62) Divisional to Application Number	:NA	
Filing Date	:NA	

(57) Abstract :

The present invention relates to utility device in field of dentistry. When performing restorative dental procedures, it is often necessary to obtain an impression of teeth. To obtain a suitable impression, the impression material must flow slightly beneath the gum line. So, it is important to use cord packer to temporarily retract portions of the gum away from the teeth to ensure access to necessary portions of the tooth. The present invention primarily assists in packing gingival retraction cord worn on finger for improved tactile perception and support with adjustable cord packer.

No. of Pages : 19 No. of Claims : 4



(12) PATENT APPLICATION PUBLICATION

(21) Application No.202121022263 A

(19) INDIA

(22) Date of filing of Application :18/05/2021

(43) Publication Date : 09/07/2021

(54) Title of the invention : TOOTHBRUSH WITH ROTATABLE BRUSH HEAD

(51) International classification :B29C0065000000,  
H04N0007140000,  
H01L0029780000,  
B29L0031000000,  
H01L0027120000

(31) Priority Document No :NA  
(32) Priority Date :NA  
(33) Name of priority country :NA  
(86) International Application No :NA  
Filing Date :NA  
(87) International Publication No : NA  
(61) Patent of Addition to Application  
Number :NA  
Filing Date :NA  
(62) Divisional to Application Number :NA  
Filing Date :NA

(71)Name of Applicant :

**1)PENDYALA, Gowri Swaminatham**Address of Applicant :Department of Periodontics, Rural  
Dental College, Pravara Institute of Medical Sciences, Loni,  
Taluka Rahata, Dist. Ahmednagar, Maharashtra - 413736, India,  
Maharashtra India

(72)Name of Inventor :

**1)PENDYALA, Gowri Swaminatham****2)JOSHI, Saurabh Ramesh****3)VANJARI, Ajinkya****4)MANI, Ameet**

(57) Abstract :

A toothbrush with a rotatable head is provided. The toothbrush includes a brush head assembly having an upper end, a lower end, a plurality of brush bristles configured on a surface of the upper end; and a handling member rotatably configured with lower end of the brush head assembly such that the one of the handling member and the brush head assembly is configured to rotate with respect to another of the handling member and the brush head assembly about an axis.

No. of Pages : 13 No. of Claims : 10



सत्यमेव जयते

G.A.R.6  
[See Rule 22(1)]  
RECEIPT



Controller General of Patents, Designs & Trade  
Marks

Docket No 41459

To  
DR.SHIVANI SACHDEVA

525/ 0/ 70 PMT STAFF QUARTERS PIMS,  
LONI Bk, Taluka- Rahata city- Ahmednagar

Date/Time 2021/08/05 11:47:34

Userid: shivani19

CBR Detail:

Sr. No.	Ref. No./Application No.	App. Number	Amount Paid	C.B.R. No.	Form Name	Remarks
1	202121035224	TEMP/E-1/39548/2021-MUM	1600	17696	FORM 1	PERIODONTAL DRESSING STAPLER

TransactionID	Payment Mode	Challan Identification Number	Amount Paid	Head of A/C No
N-0000837173	Online Bank Transfer	0508210004677	1600.00	1475001020000001

Total Amount : ₹ 1600

Amount in Words: Rupees One Thousand Six Hundred Only

Received from DR.SHIVANI SACHDEVA the sum of ₹ 1600 on account of Payment of fee for above mentioned Application/Forms.

\* This is a computer generated receipt, hence no signature required.

[Print](#)



### Application Filing Receipt

**Government of India  
Patent Office**

Intellectual Property Office Building,  
S.M. Road, Antop Hill,  
Mumbai-400037  
Phone- 022-24137701,24142026  
Fax: 022-24130387  
e-mail: mumbai-patent@nic.in

**CBR Number : 17696**

**CBR date: 05-08-2021**

Application Type: ORDINARY APPLICATION  
Priority Number:  
Priority Date:  
Priority Country: Not Selected

To,  
DR.SHIVANI SACHDEVA  
DEPT. of PERIODONTOLOGY RURAL DENTAL COLLEGE, PRAVARA INSTITUTE OF MEDICAL SCIENCES (DU) Ahmednagar Maharashtra India,  
413736

Received documents purporting be to an application for patent numbered 202121035224 dated 05-08-2021 by DR.SHIVANI SACHDEVA of 525/ 9/ 70 PMT STAFF QUARTERS PIMS, LONI Bk, Taluka- Rahata city- Ahmednagar relating to PERIODONTAL DRESSING STAPLER together with the Complete and fee(s) of ₹1600 ( One Thousand Six Hundred only).

**Note:**

1. In case of Patent Application accompanied by a Provisional Specification, a complete Specification should be filed within 12 months from the date of filing of the Provisional Specification, failing which the application will be deemed to be abandoned under Section 9(1) of the Patent Act, 1970.
2. You may withdraw the application at any time before the grant of patent, if you wish so. If, in addition to withdrawal, you also wish to prevent the publication of application in the Patent Office Journal, the application should be withdrawn within fifteen months from the date of priority of date of filing, whichever earlier.
3. If not withdrawn, your application will be published in the Patent Office Journal after eighteen months from the date of priority of date of filing, whichever is earlier.
4. If you wish to get your application examined, you should file a request for examination in Form-18 within 48 months from the date of priority or date of filing, whichever is earlier, failing which the application will be treated as withdrawn by the applicant under Section 11(B)(4) of the Patent Act, 1970.

(For Controller of Patents)

QR Image

\* This is a computer generated receipt, hence no signature required.

Print AFR



(12) PATENT APPLICATION PUBLICATION  
(19) INDIA  
(22) Date of filing of Application :05/08/2021

(21) Application No.202121035224 A  
(43) Publication Date : 26/11/2021

(54) Title of the invention : PERIODONTAL DRESSING STAPLER

(51) International classification :A61K0008420000, A61C0019040000, A61B0017300000, B23K0011300000, A61C0003000000  
(86) International Application No :NA  
Filing Date :NA  
(87) International Publication No :NA  
(61) Patent of Addition to Application Number :NA  
Filing Date :NA  
(62) Divisional to Application Number :NA  
Filing Date :NA

(71)Name of Applicant :

**1)DR.SHIVANI SACHDEVA**

Address of Applicant :DEPT. OF PERIODONTOLOGY  
RURAL DENTAL COLLEGE, LONI PRAVARA INSTITUTE  
OF MEDICAL SCIENCES (DU) RAHATA; AHMEDNAGAR;  
MAHARASHTRA; INDIA; PIN CODE: 413736 -----

**2)DR.HARISH SALUJA**

Name of Applicant : NA  
Address of Applicant : NA

(72)Name of Inventor :

**1)DR.SHIVANI SACHDEVA**

Address of Applicant :525/ 9/ 70 PMT STAFF QUARTERS  
PIMS, LONI Bk, Taluka- Rahata city- Ahmednagar -----

**2)DR.HARISH SALUJA**

Address of Applicant :Dept of ORAL AND MAXILLOFACIAL  
SURGERY RURAL DENTAL COLLEGE, PRAVARA  
INSTITUTE OF MEDICAL SCIENCES (DU) Ahmednagar  
Maharashtra India, 413736 -----

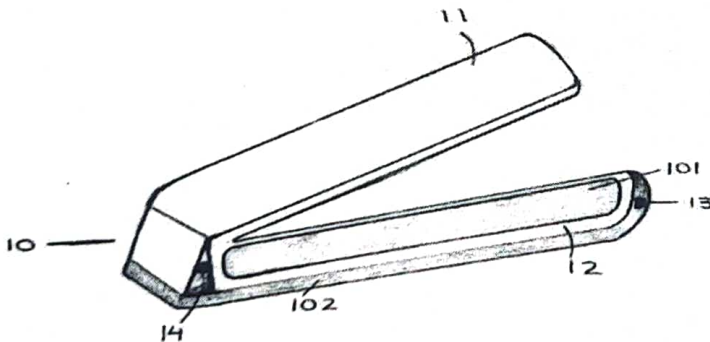
**3)DR.AMEET MANI**

Address of Applicant :Dept of PERIODONTOLGY RURAL  
DENTAL COLLEGE, PRAVARA INSTITUTE OF MEDICAL  
SCIENCES (DU), Ahmednagar, Maharashtra, India-413736 -----

(57) Abstract :

The present invention generally relates to medicine, namely to dental instrument which relates to the utility device. It primarily assists in preparation of periodontal dressing which are used to cover the site of surgery in periodontology as well as oral and maxillofacial surgery: The device gives uniform thickness to the periodontal pack and cuts the excess. It also controls the setting time by cooling and reducing the tackiness by the embodiment coolant chamber which improves the handling issues of the dressing and avoids the use of fingers for thinning the periodontal dressing by a unified method for compressing it. Figure 1 on page number. 1 of the drawings may accompany the abstract when published.

FIGURE 1

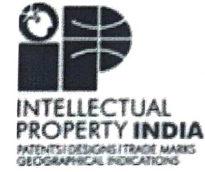


No. of Pages : 12 No. of Claims : 3

Controller General of Patents, Designs & Trade  
Marks



सत्यमेव जयते  
G.A.R.6  
[See Rule 22(1)]  
RECEIPT



Docket No 44857

Date/Time 2021/08/21 21:27:19

To  
DR.SHIVANI SACHDEVA

UserId: shivani19

525/ 9/ 70 PMT STAFF QUARTERS PIMS,  
LONI Bk, Taluka- Rahata city- Ahmednagar

CBR Detail:

Sr. No.	Ref No./Application No.	App. Number	Amount Paid	C.B.R. No.	Form Name	Remarks
1	202121037958	TEMP/E-1/42687/2021-MUM	1600	19099	FORM 1	ANGULAR INTERDENTAL CLEANER FOR PROFICIENTLY CLEANING LINE ANGLES OF TEETH

TransactionID	Payment Mode	Challan Identification Number	Amount Paid	Head of A/C No
N-0000844557	Online Bank Transfer	2108210007301	1600.00	1475001020000001

Total Amount : ₹ 1600

Amount in Words: Rupees One Thousand Six Hundred Only

Received from DR.SHIVANI SACHDEVA the sum of ₹ 1600 on account of Payment of fee for above mentioned Application/Forms.

\* This is a computer generated receipt, hence no signature required.

**Government of India  
Patent Office**

Intellectual Property Office Building,  
S.M. Road, Antop Hill,  
Mumbai-400037  
Phone- 022-24137701,24142026  
Fax: 022-24130387  
e-mail: mumbai-patent@nic.in

**Application Filing Receipt**

CBR Number : 19099

CBR date: 21-08-2021

Application Type: ORDINARY APPLICATION  
Priority Number:  
Priority Date:  
Priority Country: Not Selected

To,  
DR.SHIVANI SACHDEVA  
DEPT. OF PERIODONTOLOGY RURAL DENTAL COLLEGE, LONI PRAVARA INSTITUTE OF MEDICAL SCIENCES (DU) MAHARASHTRA 413736  
Received documents purporting to be an application for patent numbered 202121037958 dated 21-08-2021 by DR.SHIVANI SACHDEVA of 525/ 9/ 70 PMT STAFF QUARTERS PIMS, LONI Bk, Taluka- Rahata city- Ahmednagar relating to ANGULAR INTERDENTAL CLEANER FOR PROFICIENTLY CLEANING LINE ANGLES OF TEETH together with the Complete and fee(s) of ₹1600 ( One Thousand Six Hundred only).

**Note:**

1. In case of Patent Application accompanied by a Provisional Specification, a complete Specification should be filed within 12 months from the date of filing of the Provisional Specification, failing which the application will be deemed to be abandoned under Section 9(1) of the Patent Act, 1970.
2. You may withdraw the application at any time before the grant of patent, if you wish so. If, in addition to withdrawal, you also wish to prevent the publication of application in the Patent Office Journal, the application should be withdrawn within fifteen months from the date of priority of date of filing, whichever earlier.
3. If not withdrawn, your application will be published in the Patent Office Journal after eighteen months from the date of priority of date of filing, whichever is earlier.
4. If you wish to get your application examined, you should file a request for examination in Form-18 within 48 months from the date of priority or date of filing, whichever is earlier, failing which the application will be treated as withdrawn by the applicant under Section 11(B)(4) of the Patent Act, 1970.

QR Image

(For Controller of Patents)

\* This is a computer generated receipt, hence no signature required.

Print AFR



(12) PATENT APPLICATION PUBLICATION

(21) Application No.202121037958 A

(19) INDIA

(22) Date of filing of Application :21/08/2021

(43) Publication Date : 03/12/2021

(54) Title of the invention : ANGULAR INTERDENTAL CLEANER FOR PROFICIENTLY CLEANING LINE ANGLES OF TEETH

(51) International classification :A61C0015040000, A61C0015020000, A61C0015000000, A46B0015000000, A61C0005880000

(86) International Application No :NA  
Filing Date :NA

(87) International Publication No : NA

(61) Patent of Addition to Application Number :NA  
Filing Date :NA

(62) Divisional to Application Number :NA  
Filing Date :NA

(71)Name of Applicant :  
**1)DR.SHIVANI SACHDEVA**  
Address of Applicant :DEPT. OF PERIODONTOLOGY RURAL DENTAL COLLEGE, LONI PRAVARA INSTITUTE OF MEDICAL SCIENCES (DU) RAHATA; AHMEDNAGAR; MAHARASHTRA; INDIA; PIN CODE: 413736 -----

**2)DR.HARISH SALUJA**  
Name of Applicant : NA  
Address of Applicant : NA

(72)Name of Inventor :  
**1)DR.SHIVANI SACHDEVA**  
Address of Applicant :525/ 9/ 70 PMT STAFF QUARTERS PIMS, LONI Bk, Taluka- Rahata city- Ahmednagar -----

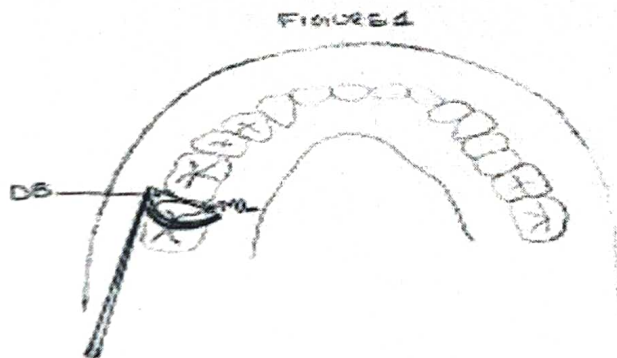
**2)DR.HARISH SALUJA**  
Address of Applicant :DEPT. OF ORAL MAXILLOFACIAL SURGERY RURAL DENTAL COLLEGE, LONI PRAVARA INSTITUTE OF MEDICAL SCIENCES (DU) MAHARASHTRA 413736 -----

**3)DR.AMEET MANI**  
Address of Applicant :DEPT. OF PERIODONTOLOGY RURAL DENTAL COLLEGE, LONI PRAVARA INSTITUTE OF MEDICAL SCIENCES (DU) MAHARASHTRA 413736 -----

(57) Abstract :

The present invention generally relates to a dental utility device. The angular interdental cleaning aid facilitates cleaning of the interdental line angles of the teeth in human jaw. It pertains to a paired plastic angular interdental cleaner with two main components, the floss handle and the dental floss holder which are joined with a rigid fixed joint. The interdental floss holder assembly is configured in the axial plane with the floss handle which facilitates the cleaning at the line angles as well as it occupies less space in the buccal and lingual vestibule making it user friendly. Figure 1 and 2 on page number. 1 and 2 of the drawings may accompany the abstract when published.

FIGURE 1



No. of Pages : 18 No. of Claims : 5

Controller General of Patents, Designs & Trade  
Marks



सत्यमेव जयते  
G.A.R.6  
(See Rule 12(1))  
RECEIPT



Docket No 57005

Date/Time 2021/10/09 18:02:05

To  
DR.SHIVANI SACHDEVA

UserId: shivani19

DEPARTMENT OF PERIODONTOLOGY,  
RURAL DENTAL COLLEGE, LONI,  
PRAVARA INSTITUTE OF MEDICAL  
SCIENCES, Taluka- Rahata city-  
Ahmednagar MAHARASHTRA, INDIA

CBR Detail:

Sr. No.	Ref. No./Application No.	App. Number	Amount Paid	C.B.R. No.	Form Name	Remarks
1	202121046093	TEMP/E-1/52196/2021-MUM	1600	23233	FORM 1	BIFURCATED PERIODONTAL PROBE FOR MEASURING WIDTH OF ATTACHED GINGIVA

TransactionID	Payment Mode	Challan Identification Number	Amount Paid	Head of A/C No
N-0000965748	Online Bank Transfer	0910210009388	1600.00	1475001020000001

Total Amount : ₹ 1600

Amount in Words: Rupees One Thousand Six Hundred Only

Received from DR.SHIVANI SACHDEVA the sum of ₹ 1600 on account of Payment of fee for above mentioned Application/Forms.

\* This is a computer generated receipt, hence no signature required.

[Print](#)

**Government of India  
Patent Office**

Intellectual Property Office Building,  
S.M. Road, Antop Hill,  
Mumbai-400037  
Phone- 022-24137701,24142026  
Fax: 022-24130387  
e-mail: mumbai-patent@nic.in

**Application Filing Receipt**

CBR Number : 23233

CBR date: 09-10-2021

Application Type: ORDINARY APPLICATION  
Priority Number:  
Priority Date:  
Priority Country: Not Selected

To,  
DR.SHIVANI SACHDEVA  
DEPT. OF PERIODONTOLOGY RURAL DENTAL COLLEGE, LONI PRAVARA INSTITUTE OF MEDICAL SCIENCES (DU) DISTRICT: RAHATA; CITY:  
AHMEDNAGAR; MAHARASHTRA; INDIA PIN CODE: 413736

Received documents purporting to be an application for patent numbered 202121046093 dated 09-10-2021 by DR.SHIVANI SACHDEVA of DEPARTMENT OF PERIODONTOLOGY, RURAL DENTAL COLLEGE, LONI, PRAVARA INSTITUTE OF MEDICAL SCIENCES. Taluka- Rahata city- Ahmednagar MAHARASHTRA, INDIA relating to BIFURCATED PERIODONTAL PROBE FOR MEASURING WIDTH OF ATTACHED GINGIVA together with the Complete and fee(s) of ₹1600 ( One Thousand Six Hundred only).

**Note:**

1. In case of Patent Application accompanied by a Provisional Specification, a complete Specification should be filed within 12 months from the date of filing of the Provisional Specification, failing which the application will be deemed to be abandoned under Section 9(1) of the Patent Act, 1970.
2. You may withdraw the application at any time before the grant of patent, if you wish so. If, in addition to withdrawal, you also wish to prevent the publication of application in the Patent Office Journal, the application should be withdrawn within fifteen months from the date of priority of date of filing, whichever is earlier.
3. If not withdrawn, your application will be published in the Patent Office Journal after eighteen months from the date of priority of date of filing, whichever is earlier.
4. If you wish to get your application examined, you should file a request for examination in Form-18 within 48 months from the date of priority or date of filing, whichever is earlier, failing which the application will be treated as withdrawn by the applicant under Section 11(B)(4) of the Patent Act, 1970.

QR Image

(For Controller of Patents)

\* This is a computer generated receipt, hence no signature required.

**Print AFR**



(12) PATENT APPLICATION PUBLICATION

(21) Application No.202121046093 A

(19) INDIA

(22) Date of filing of Application :09/10/2021

(43) Publication Date : 03/12/2021

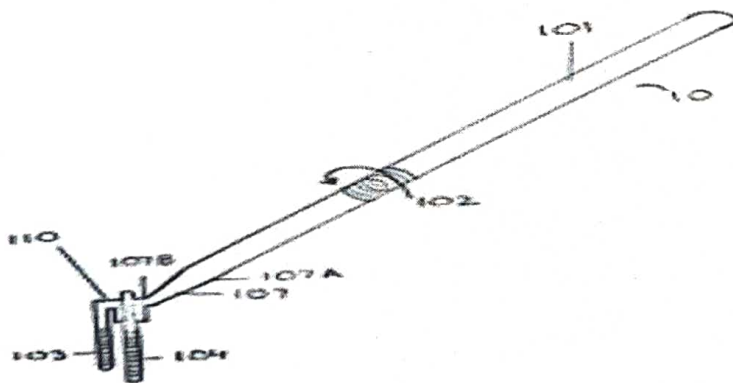
(54) Title of the invention : BIFURCATED PERIODONTAL PROBE FOR MEASURING WIDTH OF ATTACHED GINGIVA

(51) International classification :A61B0005000000, A61C0019040000, G01B0011040000, A61B0008000000, A61B0005107000  
(86) International Application No :NA  
Filing Date :NA  
(87) International Publication No :NA  
(61) Patent of Addition to Application Number :NA  
Filing Date :NA  
(62) Divisional to Application Number :NA  
Filing Date :NA

(71)Name of Applicant :  
**1)DR.SHIVANI SACHDEVA**  
Address of Applicant :DEPARTMENT OF PERIODONTOLOGY, RURAL DENTAL COLLEGE, LONI, PRAVARA INSTITUTE OF MEDICAL SCIENCES. Taluka- Rahata city- Ahmednagar MAHARASHTRA, INDIA -----  
**2)DR.SANKET SHINDE**  
**3)DR. NILOFAR ATTAR**  
**4)DR.HARISH SALUJA**  
Name of Applicant : NA  
Address of Applicant : NA  
(72)Name of Inventor :  
**1)DR.SHIVANI SACHDEVA**  
Address of Applicant :DEPARTMENT OF PERIODONTOLOGY, RURAL DENTAL COLLEGE, LONI, PRAVARA INSTITUTE OF MEDICAL SCIENCES. Taluka- Rahata city- Ahmednagar MAHARASHTRA, INDIA -----  
**2)DR.SANKET SHINDE**  
Address of Applicant :NAVRATNA CHS 4/506 JAKA CLUB OPP. BHOOMI TOWER SANTACRUZ- EAST MUMBAI, 400055 -----  
**3)DR. NILOFAR ATTAR**  
Address of Applicant :B4/04, SHIVAM SOCIETY, SECTOR 6 NERUL WEST, NAVI MUMBAI. 400706 -----  
**4)DR.HARISH SALUJA**  
Address of Applicant :DEPT. OF ORAL AND MAXILLOFACIAL SURGERY RURAL DENTAL COLLEGE, LONI PRAVARA INSTITUTE OF MEDICAL SCIENCES (DU) DISTRICT: RAHATA; CITY: AHMEDNAGAR; MAHARASHTRA; INDIA PIN CODE: 413736 -----

(57) Abstract :  
ABSTRACT BIFURCATED PERIODONTAL PROBE FOR MEASURING WIDTH OF ATTACHED GINGIVA The present invention generally relates to a field of medicine. More particularly, it relates to a method and device to measure width of attached gingiva in human teeth. It pertains to a bifurcated periodontal probe which saves time of the clinician in measuring important dimension in periodontal health. It helps in measuring depth of pocket with the embodiment first probe while, the second probe is used to measure length of keratinized tissue. The two dimensions helps in calculating width of attached gingiva at a point of time. Hence, the present invention has plurality of functions and is user friendly. Figure 1 on page number 1 of the drawings may accompany the abstract when published.

FIGURE 1



No. of Pages : 15 No. of Claims : 7

### Application Details

APPLICATION NUMBER	202121006410
APPLICATION TYPE	ORDINARY APPLICATION
DATE OF FILING	16/02/2021
APPLICANT NAME	<b>1 . Dr. Rajendra Eknathrao Vikhe Patil</b> <b>2 . Dr. Mohan Nagorao Pawar</b> <b>3 . Dr. Jamebaseer M. Farooqui</b> <b>4 . Ms. Devina K. Wagh</b> <b>5 . Ms. Swarika P. Mukati</b> <b>6 . Pravara Institute of Medical Sciences (Deemed to be University)'s Dr. Balasaheb Vikhe Patil Rural Medical College, Loni</b>
TITLE OF INVENTION	AN ELECTRONIC PROCESS OF GENERATING AND PRESENTING MOOT COURT VIDEO ON VIRTUAL PLATFORM
FIELD OF INVENTION	COMMUNICATION
E-MAIL (As Per Record)	uguha99@gmail.com
ADDITIONAL-EMAIL (As Per Record)	info@lexregia.in
E-MAIL (UPDATED Online)	
PRIORITY DATE	
REQUEST FOR EXAMINATION DATE	16/02/2021
PUBLICATION DATE (U/S 11A)	26/02/2021

(12) PATENT APPLICATION PUBLICATION

(21) Application No.202121021025 A

(19) INDIA

(22) Date of filing of Application :10/05/2021

(43) Publication Date : 11/06/2021

(54) Title of the invention : A MODIFIED BIODEGRADABLE ETHYLENE VINYL ACETATE FOAM AND A PROCESS FOR PREPARATION THEREOFF

(51) International classification	:C08J0009100000, C08K0005140000, A61K0033120000, C08K0009040000, A61K0008270000	(71)Name of Applicant : <b>1)Dr. Gokul Jaywant Jorwekar</b> Address of Applicant :Pravara Institute of Medical Sciences (Deemed to be University) <sup>TM</sup> s Dr. Balasaheb Vikhe Patil Rural Medical College, Loni, Tal. Rahata, Dist: Ahmednagar, Maharashtra, India Maharashtra India <b>2)Pravara Institute of Medical Sciences</b> <b>3)Dr. Hemsing Kisan Rathod</b> <b>4)Dr. Mohan Nagorao Pawar</b>
(31) Priority Document No	:NA	(72)Name of Inventor : <b>1)Dr. Gokul Jaywant Jorwekar</b> <b>2)Dr. Hemsing Kisan Rathod</b> <b>3)Dr. Mohan Nagorao Pawar</b>
(32) Priority Date	:NA	
(33) Name of priority country	:NA	
(86) International Application No Filing Date	:NA :NA	
(87) International Publication No	: NA	
(61) Patent of Addition to Application Number Filing Date	:NA :NA	
(62) Divisional to Application Number Filing Date	:NA :NA	

(57) Abstract :

Disclosed is a modified biodegradable EVA Foam comprising of i) modified EVA copolymer in an amount of 58.7wt% & polyhydroxybutyrate in an amount of 39.8 wt%, ii) azodicarbonamide in an amount of 5 wt%, iii) dicumyl peroxide in an amount of 1.5 wt%, iv) calcium carbonate in an amount of 4 wt%, v) talcum powder in an amount of 6 wt%, vi) stearic acid in amount of 1.5 wt%, vii) zinc oxide in an amount of 3 wt%. Also provided is a process for preparing the modified biodegradable EVA Foam. Figure 1.

No. of Pages : 21 No. of Claims : 5